

RYOBI



Entry Hook Shelf

PROJECT PLAN

Finished Dimensions: 16"W x 30"H x 5"D

Skill Level: Beginner

Materials

Item	Qty
1" x 4" x 8' Board*	1
3/4" x 24" x 48" Pine Edge-Glued Square Edge Board	1
1-1/2" x 18-Gauge Collated Nails	1 Box
4-1/2" Wall Coat Hooks	3
Sandpaper** : 150g, 220g & 320g	
Wood Glue	

* Board Dimensions are "nominal". Actual dimensions are smaller due to lumber industry standards. Cuts are actual length.

** Starting grit will depend on board surface condition, a rough surface will require starting with a coarse grit first.

Grit is measured in the coarseness of the particles on the sandpaper. The lower the grit number, the coarser the paper. Heavy sanding would require 60 to 80 grit, medium sanding would require 120 to 220 grit, and finish sanding would require 320 to 400 grit. Super fine sanding would be 600 grit and higher.

A select/premium board or plywood comes with a smoother surface finish. It is clear or has very few tight knots, and it will have straight and sharp edges. This grade of wood pairs well with other boards or panels better and requires less time to sand and finish.

Tools Used



7-1/4" Sliding
Compound Miter Saw

or



Circular Saw



Drill/Driver



18 GA Brad Nailer



5" Random Orbit
Sander



Tape Measure



5" Orbit Sandpaper

Also Needed: Safety Glasses and Clamps



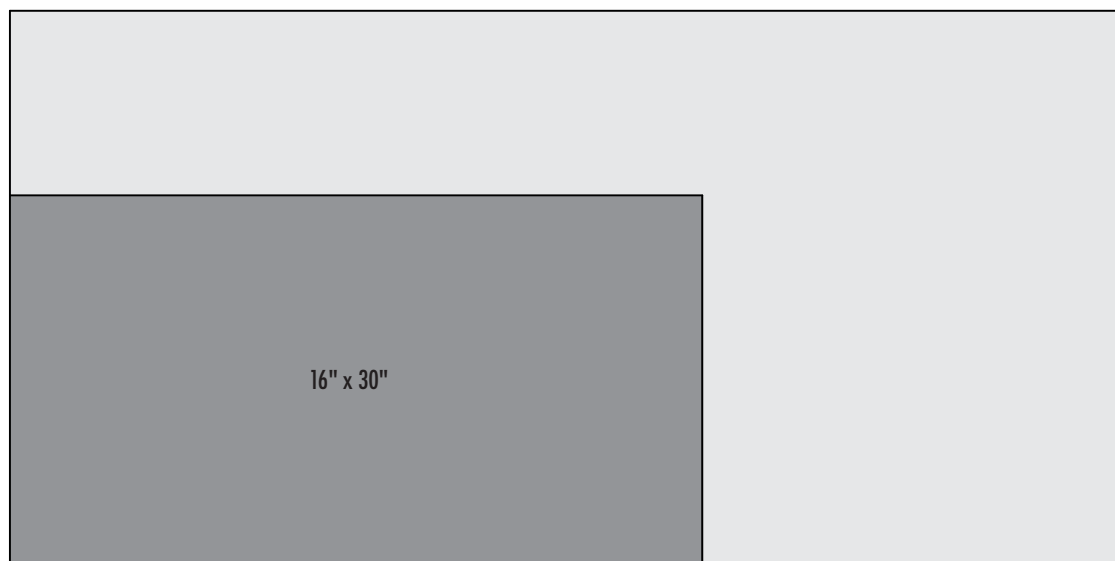
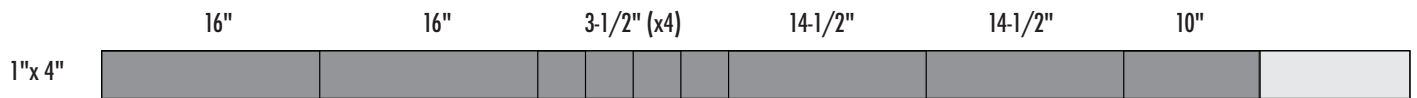
Battery Tip: A 4.0 Ah battery is recommended to be paired with high amp draw tools for maximum efficiency.

Lumber Cut List

Board *	Description	Cut to	Qty
1" x 4"	Box Shelf Face	16"	2
1" x 4"	Box Shelf Bottom	14-1/2"	2
1" x 4"	Box Shelf Sides	3-1/2"	4
1" x 4"	Shelf	10"	1
1" x 16"	Back Panel	30"	1

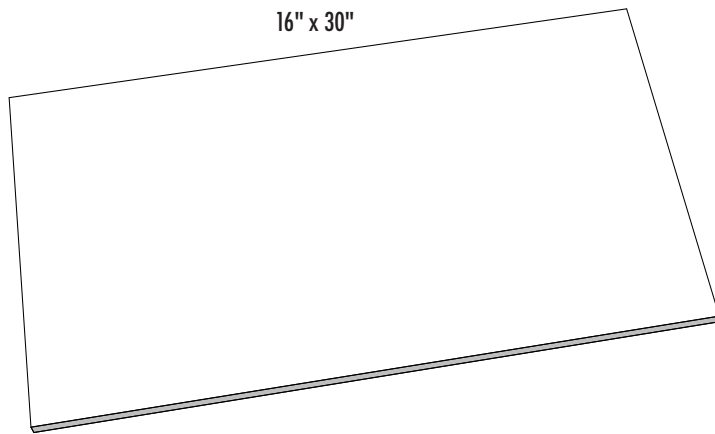
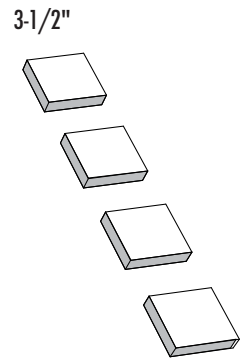
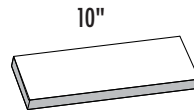
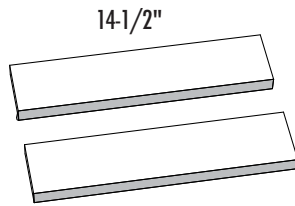
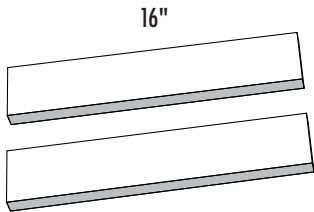
*Board Dimensions are "nominal". Actual dimensions are smaller due to lumber industry standards. Cuts are actual length.

Lumber & Sheet Layout Guide



Lumber & Sheet Cut Layout Guide

Boards



Assembly Instructions

Step 1



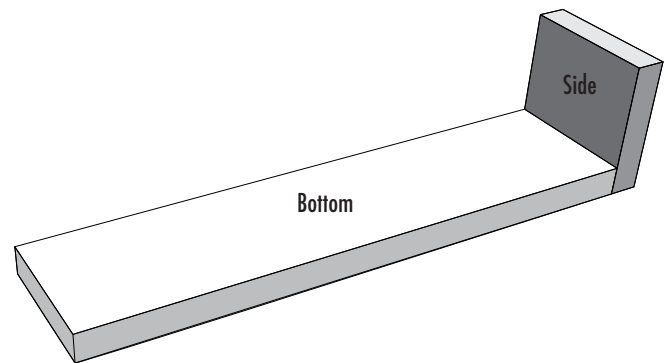
Cut out all material using the Lumber & Sheet Cut Layout Guide.

Step 2



Take (1) of the 14-1/2" bottom boards and align (1) of the 3-1/5" side boards to the end.

Glue and nail together.

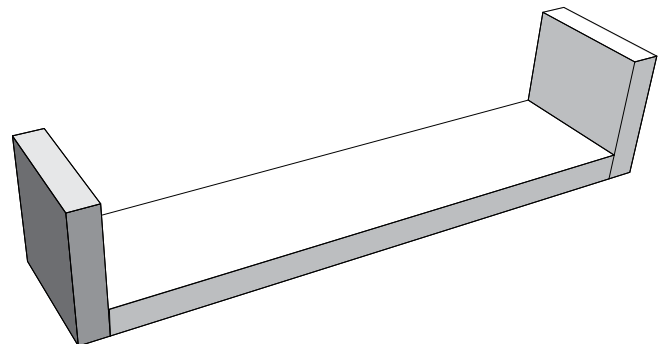


Step 3



Attach the other side board to the opposite end.

Glue and nail together.

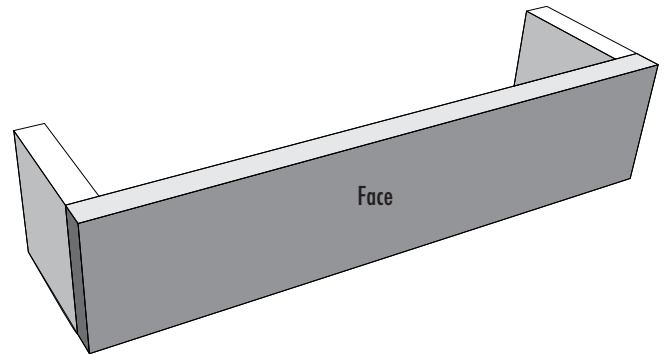


Step 4



Align the 16" face to the shelf.

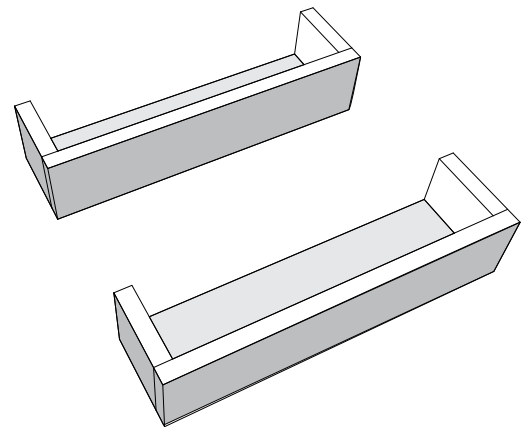
Glue and nail together.



Step 5



Repeat Step 2-Step 4 to make a second box shelf.



Step 6



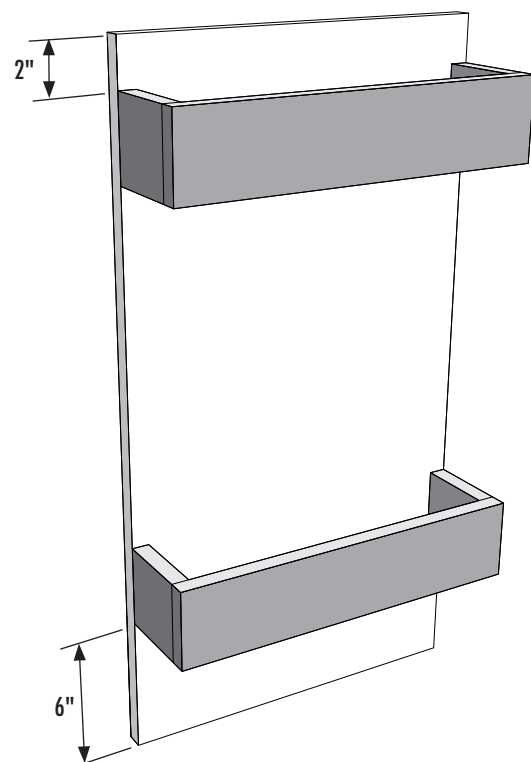
Measure 6" upward from the bottom of the back panel and mark a line on both sides.

Align (1) shelf with the lines just drawn. Glue and nail together.

Measure 2" downward from the top of the back panel and mark a line on both sides.

Align the other shelf with the lines just drawn.

Glue and nail together.

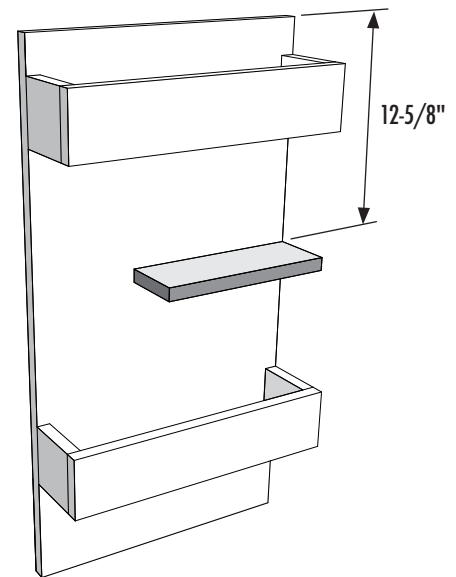


Step 7

Measure 12-5/8" downward from the top of the back panel and mark a line to (1) side.

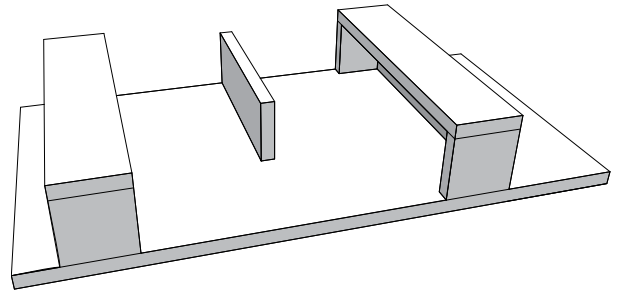
Align the 10" shelf to the line.

Attach with glue and nails.

**Step 8**

Sand and finish to your desire.

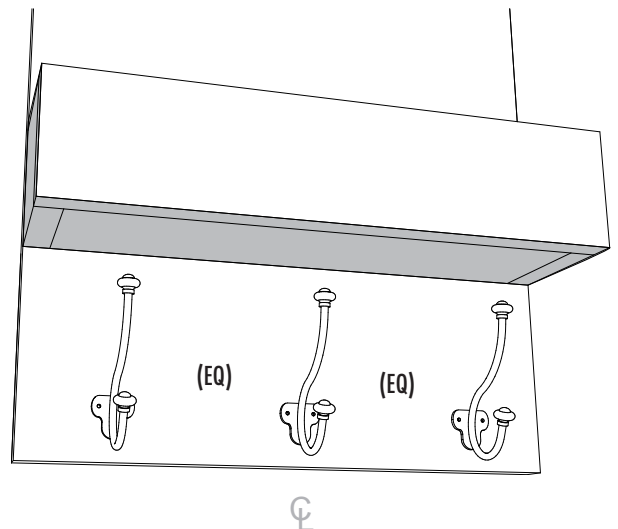
Follow sanding tips on page 8.

**Step 9**

Find the mid point of the back panel and mark a center line (CL) a few inches upward from the bottom.

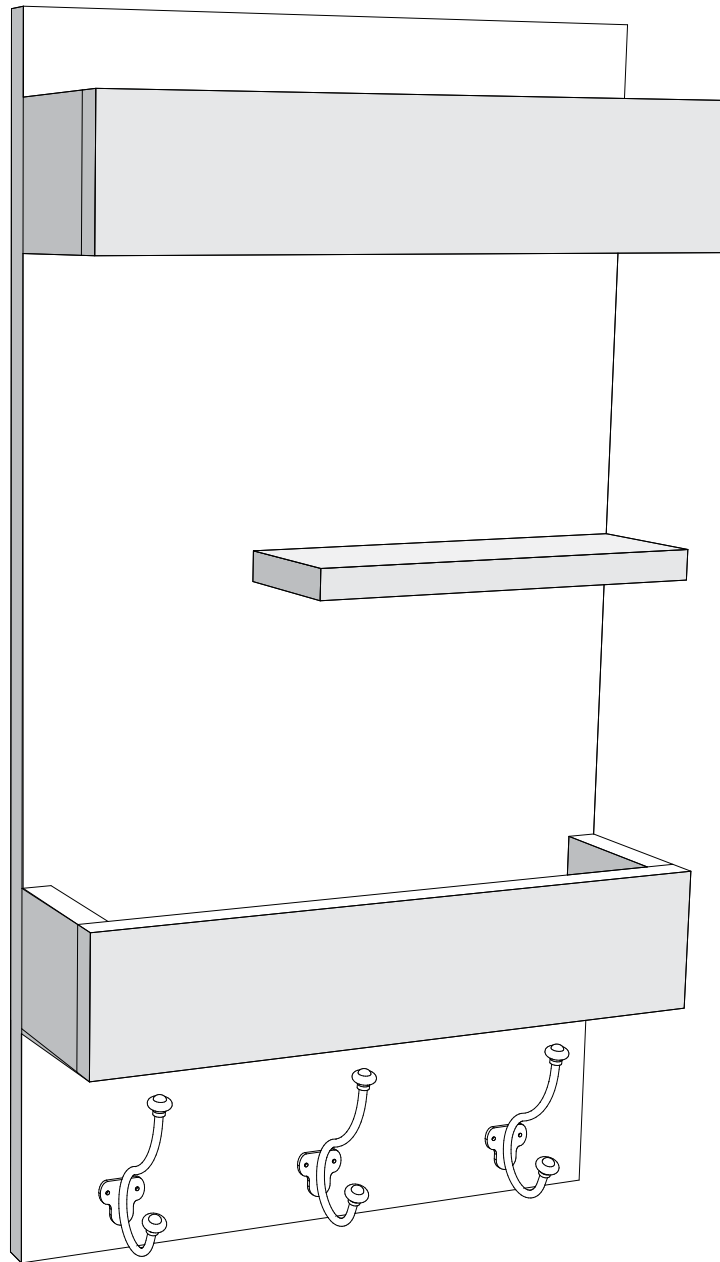
Align and attach the middle coat hook on the line.

Measure Equal Distances (EQ) from the middle hook to each edge (about 5" to 6") and attach (2) outside hooks.



Step 10

Project complete!



Rougher finish – Use 60-80 grit sandpaper to hand sand with the grain of the wood.

Smoother finish – Use 60-80 grit sandpaper to remove scratches & imperfections.

Followed by using 120-220 grit to smooth.

Finish Sanding – Use 320-400 grit sandpaper

Super fine sanding – Use 600+ grit sandpaper